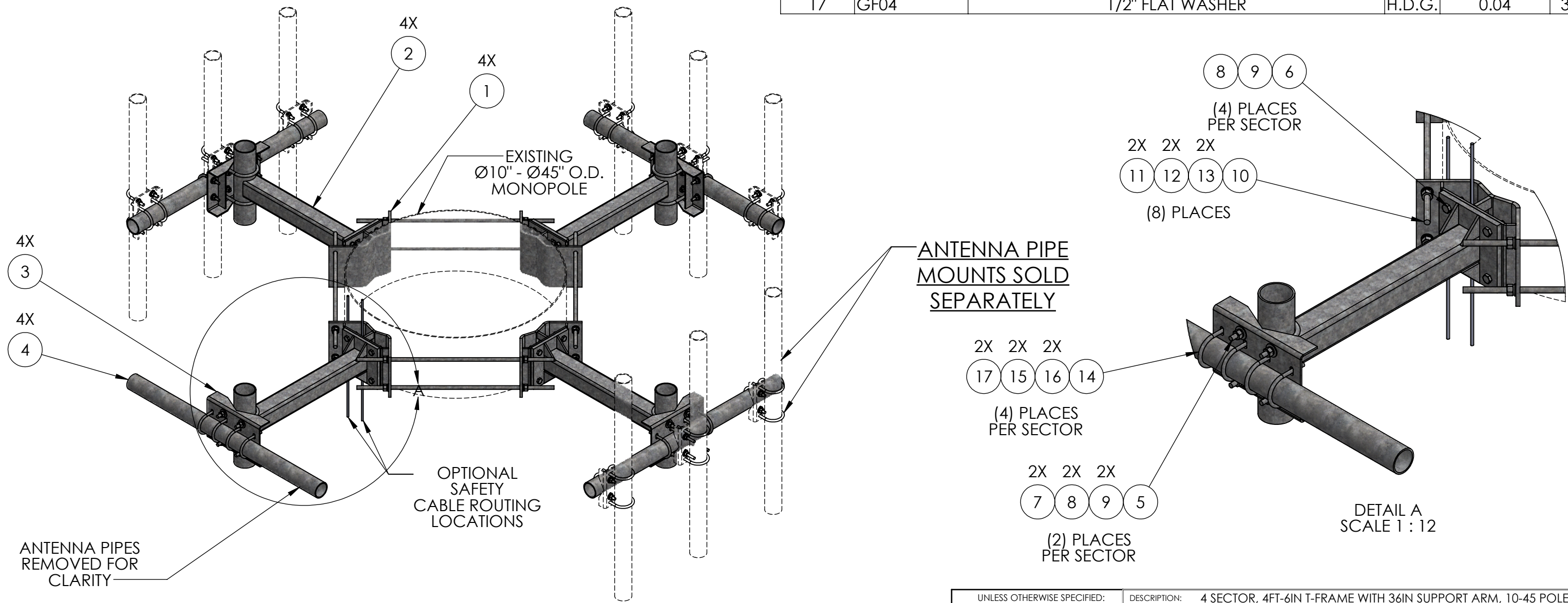


NOTES:

- T-FRAME ACCEPTS A MAXIMUM OF 12 TOTAL ANTENNA PIPES (3 PER SECTOR AS SHOWN).
- GALVANIZED ALL THREADS MAY REQ. FIELD TRIM TO FIT FOR SMALLER O.D. POLES.
- ANTENNA PIPE MOUNTS SOLD SEPARATELY.

ITEM NO.	PART NUMBER	DESCRIPTION	FINISH	WEIGHT (PER)	QTY.
1	MP1005.01	4 SECTOR 10IN, 10" TO 45" RING MOUNT (WELDMENT)	H.D.G.	45.40	4
2	MP1140.01	36" T-ARM PIPE SUPPORT (WELDMENT)	H.D.G.	70.17	4
3	MP1186.01	15" CENTER CHANNEL BRACKET (WELDMENT)	H.D.G.	14.21	4
4	GP3500.054	PLAIN END GALV PIPE, 3-1/2" O.D. x 54" (4'-6")	H.D.G.	34.21	4
5	GU54574	5/8" x 7-1/2" x 4-5/8" x 2-1/2" U-BOLT	H.D.G.	1.62	8
6	GB0524A	5/8" x 2-1/2" HEX BOLT	H.D.G.	0.33	16
7	GF05	5/8" FLAT WASHER	H.D.G.	0.08	16
8	GL05	5/8" LOCK WASHER	H.D.G.	0.03	32
9	GN05A	5/8" HEX NUT (2H)	H.D.G.	0.12	32
10	GR750.040	3/4" x 40" THREADED ROD	H.D.G.	5.02	8
11	GF06A	3/4" FLAT WASHER	H.D.G.	0.05	16
12	GL06	3/4" LOCK WASHER	H.D.G.	0.05	16
13	GN06A	3/4" HEX NUT (2H)	H.D.G.	0.18	16
14	GU43550	1/2" x 5-1/2" x 3-5/8" x 2-1/2" U-BOLT	H.D.G.	0.77	16
15	GL04	1/2" LOCK WASHER	H.D.G.	0.02	32
16	GN04A	1/2" HEX NUT (2H)	H.D.G.	0.06	32
17	GF04	1/2" FLAT WASHER	H.D.G.	0.04	32



ANTENNA PIPES REMOVED FOR CLARITY

OPTIONAL SAFETY CABLE ROUTING LOCATIONS

ANTENNA PIPE MOUNTS SOLD SEPARATELY

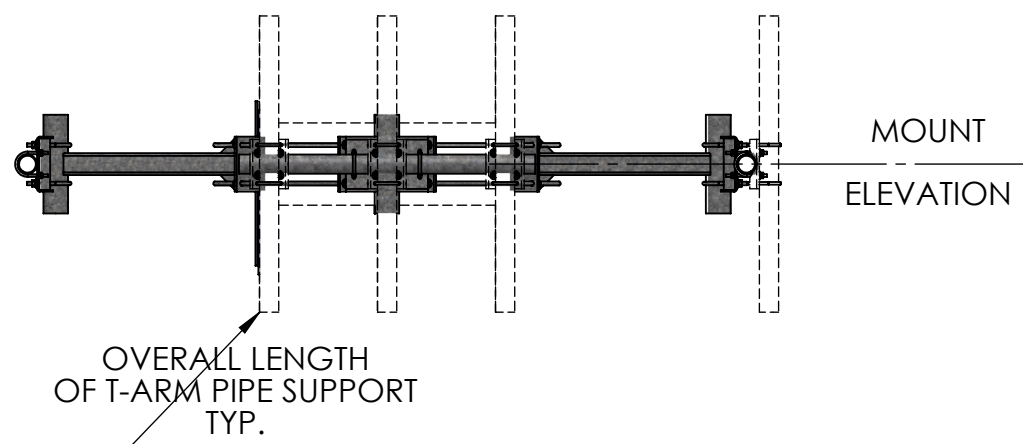
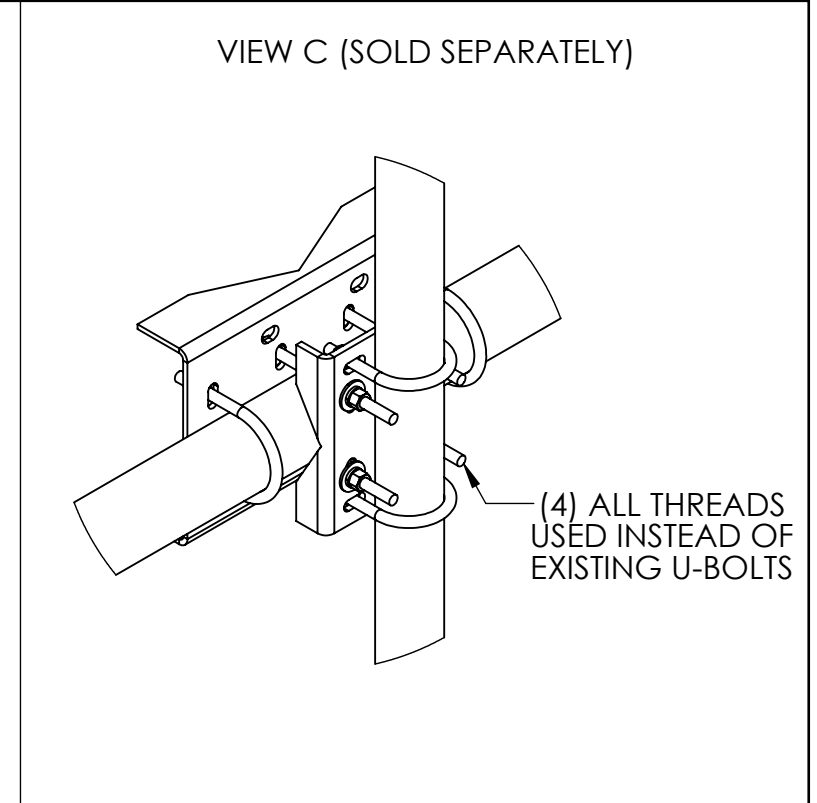
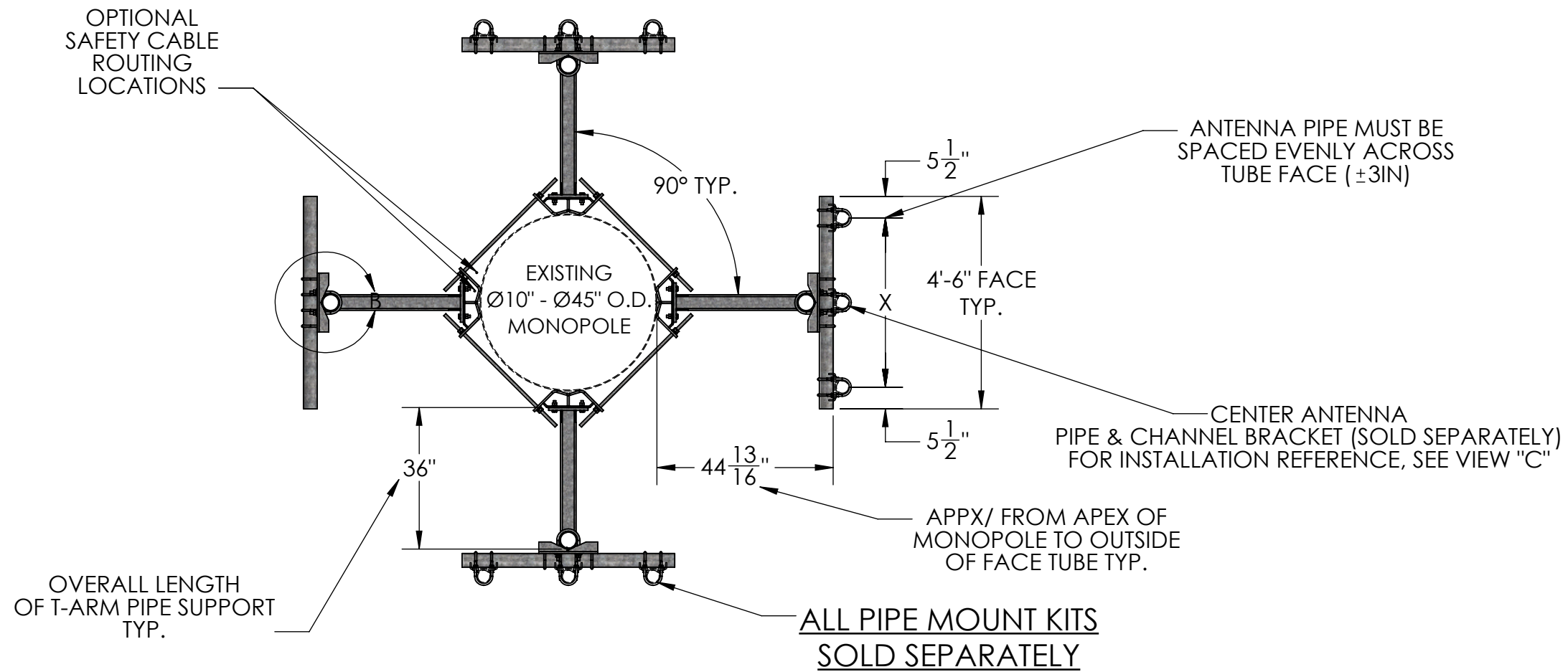
8 9 6
(4) PLACES PER SECTOR
2X 2X 2X
11 12 13 10
(8) PLACES

2X 2X 2X
17 15 16 14
(4) PLACES PER SECTOR

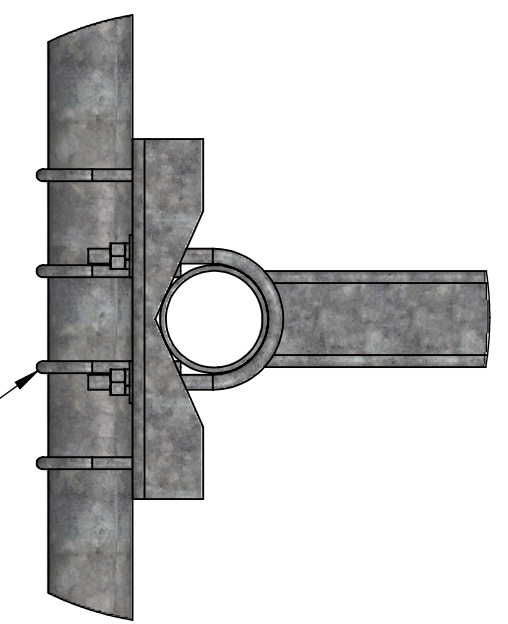
2X 2X 2X
7 8 9 5
(2) PLACES PER SECTOR

DETAIL A
SCALE 1 : 12


UNLESS OTHERWISE SPECIFIED: DIMENSIONS ARE IN INCHES TOLERANCE ± 1/16		DESCRIPTION: 4 SECTOR, 4FT-6IN T-FRAME WITH 36IN SUPPORT ARM, 10-45 POLE, ANTENNA PIPE AND MOUNT NOT INCLUDED	DWG NO: MPT43.054	
MATERIAL	FINISH H.D.G.	 PRO TOWER MANUFACTURING L.L.C. 5601 San Francisco St. NE Albuquerque, N.M. 87109 (505) 924-2810	DRAWN BY: A.J.K.	DATE: 8/1/2022
SIZE B	PROPRIETARY AND CONFIDENTIAL THE INFORMATION CONTAINED IN THIS DRAWING IS THE SOLE PROPERTY OF PRO TOWER MANUFACTURING L.L.C. ANY REPRODUCTION IN PART OR AS A WHOLE WITHOUT THE WRITTEN PERMISSION OF PRO TOWER MANUFACTURING L.L.C. IS PROHIBITED.		CHECKED BY: E. FILMER	DATE: 8/1/2022
			SHEET: 1 of 2	SCALE: NTS
			WEIGHT: 741.08	



T-FRAME INCLUDES (4) U-BOLTS TO ATTACH FACE TUBE TO 15" CHANNEL BRACKET AS SHOWN (TYP. PER SECTOR)



72IN - 126IN ANTENNA PIPE LENGTHS STANDARD, CUSTOM LENGTHS AVAILABLE

UNLESS OTHERWISE SPECIFIED: DIMENSIONS ARE IN INCHES TOLERANCE ± 1/16		DESCRIPTION: 4 SECTOR, 4FT-6IN T-FRAME WITH 36IN SUPPORT ARM, 10-45 POLE, ANTENNA PIPE AND MOUNT NOT INCLUDED	
MATERIAL		 PRO TOWER MANUFACTURING L.L.C. 5601 San Francisco St. NE Albuquerque, N.M. 87109 (505) 924-2810	DWG NO: MPT43.054
FINISH H.D.G.			DRAWN BY: A.J.K. CHECKED BY: E. FILMER SHEET: 2 of 2
SIZE B		PROPRIETARY AND CONFIDENTIAL THE INFORMATION CONTAINED IN THIS DRAWING IS THE SOLE PROPERTY OF PRO TOWER MANUFACTURING L.L.C. ANY REPRODUCTION IN PART OR AS A WHOLE WITHOUT THE WRITTEN PERMISSION OF PRO TOWER MANUFACTURING L.L.C. IS PROHIBITED.	
		REV WEIGHT: 741.08	